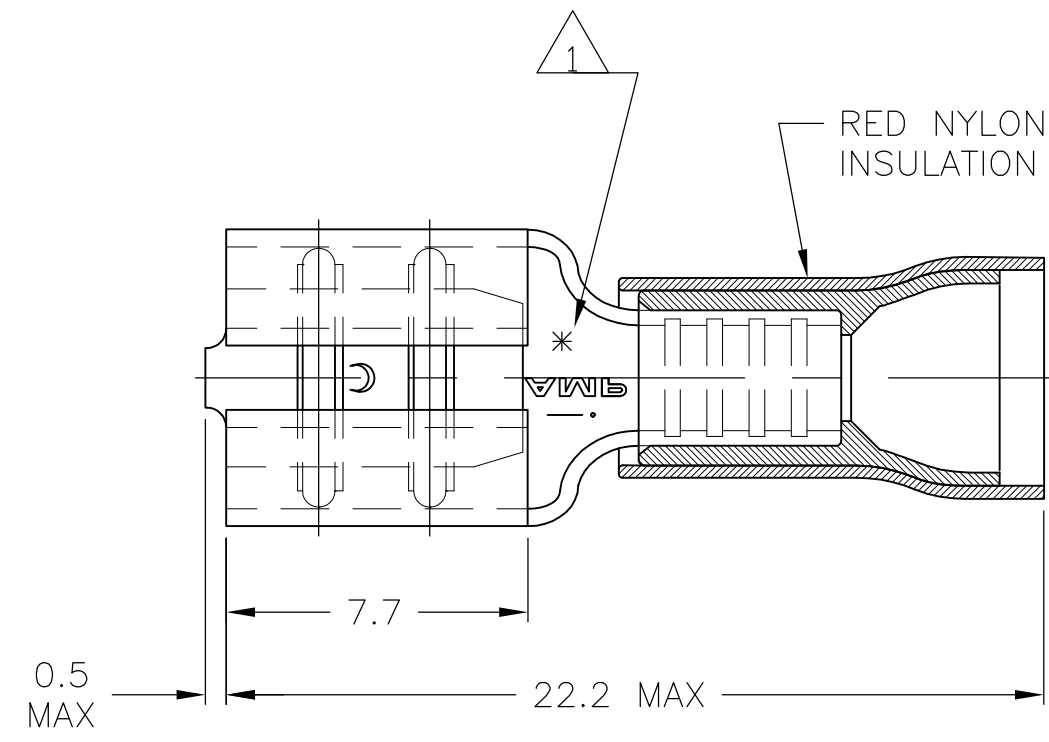
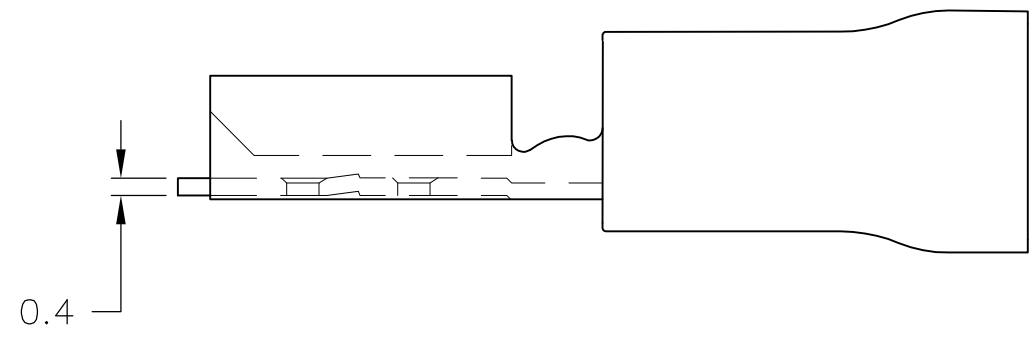
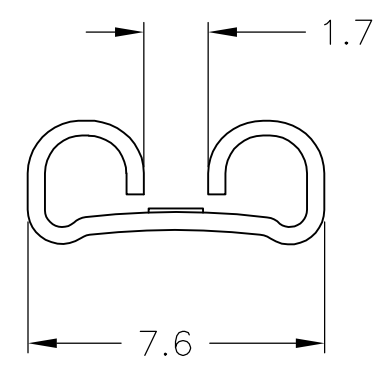


THIS DRAWING IS UNPUBLISHED. RELEASED FOR PUBLICATION
 © COPYRIGHT BY TYCO ELECTRONICS CORPORATION. ALL RIGHTS RESERVED.

LOC	DIST	REVISIONS					
G	86	P	LTR	DESCRIPTION	DATE	DWN	APVD
			L4	REV PER ECR 08-028310	10NOV08	JR	TM



- △ 1 ASTERISK * FOR PHOS BRONZE VERSION ONLY.
- 2 WIRE RANGE: 0,3-1,5mm²
- 3 INSULATION RANGE: 3,5mm MAX DIA.
- 4 MATING TAB THK IS 0,8
- △ 5 SUPERSEDED BY 9-160583-5
- △ 6 SUPERSEDED BY 9-160583-6
- △ 7 SUPERSEDED BY 5-160583-2
- △ 8 SUPERSEDED BY 5-160583-5



TAPE MOUNTED	GOLD PLATED	△ 1 PHOS. BRONZE	5-160583-7	△ 8
	SILVER PLATED	△ 1 PHOS. BRONZE	5-160583-6	△ 8
	TIN PLATED	△ 1 PHOS. BRONZE	5-160583-5	
	GOLD PLATED	BRASS	5-160583-4	△ 7
	SILVER PLATED	BRASS	5-160583-3	△ 7
	TIN PLATED	BRASS	5-160583-2	
LOOSE PIECE	TIN-LEAD	△ 1 PHOS. BRONZE	9-160583-8	△ 5
	GOLD PLATED	△ 1 PHOS. BRONZE	9-160583-7	△ 6
	SILVER PLATED	△ 1 PHOS. BRONZE	9-160583-6	
	TIN PLATED	△ 1 PHOS. BRONZE	9-160583-5	
	GOLD PLATED	BRASS	9-160583-4	△ 6
	SILVER PLATED	BRASS	9-160583-3	△ 6
	TIN PLATED	BRASS	9-160583-2	
PACKAGE TYPE	FINISH	MATERIAL	PART NO.	

THIS DRAWING IS A CONTROLLED DOCUMENT.		DWN JR RUTH 25AUG2004	Tyco Electronics Corporation Harrisburg, Pa 17105-3608		
DIMENSIONS: mm		CHK T MICHIELUTTI 25AUG04	NAME RECEPTACLE, FASTON, P.I.D.G., .250 SERIES		
TOLERANCES UNLESS OTHERWISE SPECIFIED:		APVD T MICHIELUTTI 25AUG04	PRODUCT SPEC		
0 PLC ± -		APPLICATION SPEC			
1 PLC ± -		SIZE			
2 PLC ± 0.38		CAGE CODE			
3 PLC ± -		DRAWING NO			
4 PLC ± -		RESTRICTED TO			
ANGLES ± -		A3 00779 C-160583			
MATERIAL		WEIGHT			
FINISH		CUSTOMER DRAWING			
		SCALE 4:1		SHEET 1 OF 1	
				REV L4	